

# Pressure Gauge

low pressure stainless steel serie 2860

dim 63 mm

E 02.16.02

ed.17.01

|                                |   |
|--------------------------------|---|
| <b>Application</b>             | Industrial pressure gauge for low pressure in stainless steel version. Suitable for aggressive media and environments                         |
| <b>Design</b>                  | EN 837-3  |
| <b>Type</b>                    | <b>2860</b> = lower mount<br><b>2861</b> = back mount   |
| <b>WIKA type no</b>            | 632.50  |
| <b>Case diameter</b>           | Dim 63 mm   |
| <b>Accuracy</b>                | Class 1,6%  |
| <b>Case</b>                    | Stainless steel case  |
| <b>Pressure element</b>        | Stainless steel   |
| <b>Pressure unit</b>           | mbar, mmvp, mmvp/Pa, Pa, kPa, psi, mmHg   |
| <b>Scale</b>                   | White plastic scale   |
| <b>Pressure connection</b>     | G1/4". Option also G1/8" or 1/4"NPT   |
| <b>Mounting</b>                | Lower or back mount<br>also front flange  |
| <b>Weather Protection</b>      | IP 54 enlgt EN 60529/IEC 529  |
| <b>Zero adjustment</b>         | Zero adjustment through window  |
| <b>Lowest pressure range</b>   | 40 mbar   |
| <b>Pressure limitation</b>     | Full scale value by steady pressure<br>90% of full scale value by fluctuating pressure  |
| <b>Permissible temperature</b> | Medium temperature max -20 till +100°C<br>Ambient temperature max -20 till +60° C   |
| <b>Certificates</b>            | Certificate EN 10204 can be delivered as options<br>Test report wetted parts EN 10204-2.2<br>Inspection certificate wetted parts EN 10204-3.1 |
| <b>Production options</b>      | Design Degreased for oxygen services<br>Dial with colored sectors or with customer logo   |



**2860**  
Lower mount



**2861**  
Back mount

# Pressure Gauge

low pressure stainless steel serie 2860

dim 63 mm

E 02.16.02



| Pressure range | Interval | Divisions |
|----------------|----------|-----------|
| 0-40 mbar      | 2,0      | 20        |
| 0-60 mbar      | 2,0      | 30        |
| 0-100 mbar     | 5,0      | 20        |
| 0-160 mbar     | 5,0      | 32        |
| 0-250 mbar     | 10,0     | 25        |
| 0-400 mbar     | 20,0     | 20        |
| -40/0 mbar     | 2,0      | 20        |
| -60/0 mbar     | 2,0      | 30        |
| -100/0 mbar    | 5,0      | 20        |
| -160/0 mbar    | 5,0      | 32        |
| -250/0 mbar    | 10,0     | 25        |
| -400/0 mbar    | 20,0     | 20        |

## Accuracy

### Max permissible error 1,6%

The accuracy is expressed as a percentage of full scale range. Permissible error 1,6% will cover 0% till 100% of scale range with a reference temperature of +20°C.

Ex. Pressure range 0-10 bar has an error of  $\pm 1,6$  mbar

### Temperature effect

Temperature of the measuring system over or under the reference temperature +20°C will effect the accuracy with 0,4 percentage per +10°C. With a medium temperature of +40°C the accuracy will be  $\pm 2,8\%$ .

### Unit mbar

Low pressure in mbar

10 mbar = 0,01 bar

10 mbar = 100 mmvp

10 mbar = 1000 Pa = 1 kPa

10 mbar = 0,145 psi

## Overpressure and vaccum safe

### Overpressure and vaccum safe

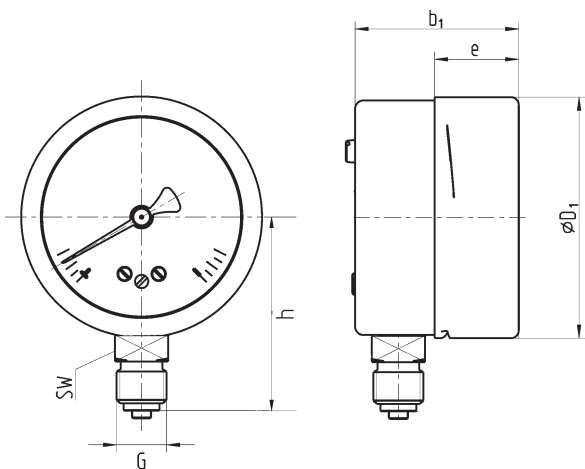
10 times overpressure safe from range 0-40 mbar

3 times overpressure safe in ranges < 0-40 mbar

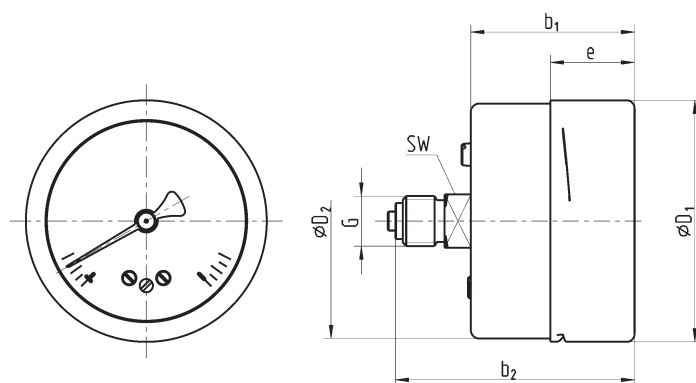
10 times vacuum safe from range 0-40 mbar

3 times vacuum safe in ranges < 0-40 mbar

## Lower mount type 2860



## Back mount type 2861



| Dim Ø | e  | b <sub>1</sub> | b <sub>2</sub> | D <sub>1</sub> | D <sub>2</sub> | G                   | h  | SW | kg   |
|-------|----|----------------|----------------|----------------|----------------|---------------------|----|----|------|
| 63    | 22 | 42             | 63             | 64             | 62             | G1/4" eller 1/4"NPT | 52 | 14 | 0,19 |